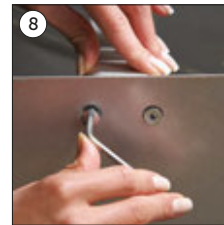
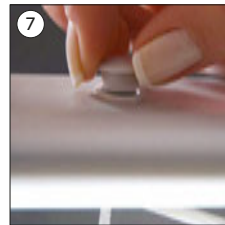
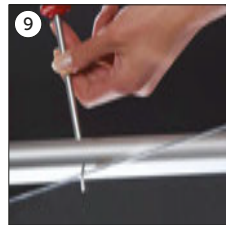
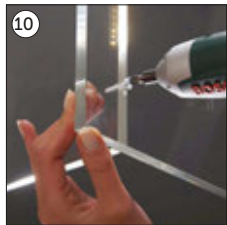
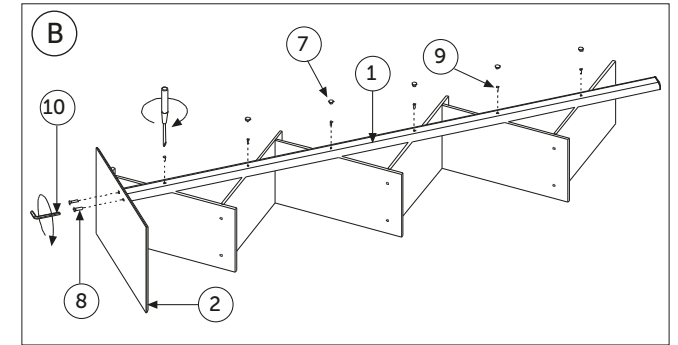
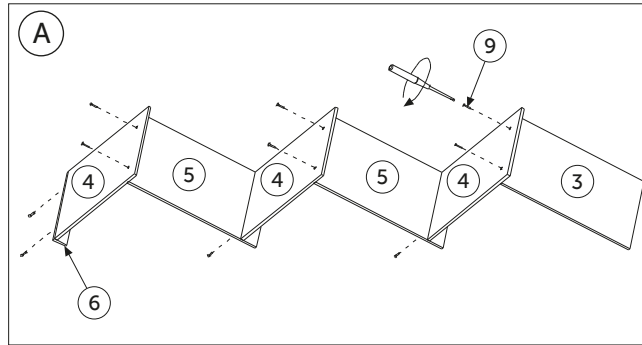
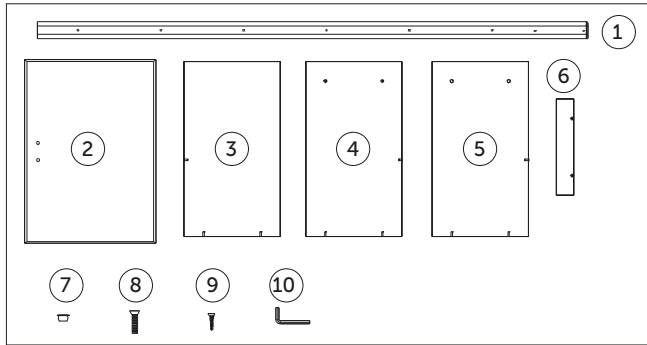


Assembly guide: ZZ3 Literature stand



Please note: do not tighten the screws too much in order to protect the plastic washers. If these become broken, the screw cups will not be usable.

Kit contents:

- 1. Elips profile post x 1
- 2. Aluminium base x 1
- 3. Acrylic shelf x 1
- 4. Acrylic shelf x 3
- 5. Acrylic shelf x 2
- 6. Acrylic shelf stopper x 1
- 7. Screw cups x 6
- 8. Screw x 2
- 9. Screw x 18
- 10. Allen key x 1

