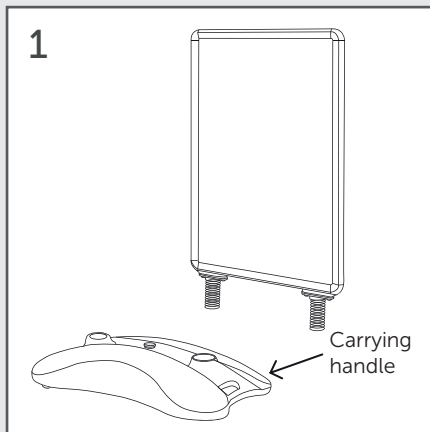


Assembly Instructions

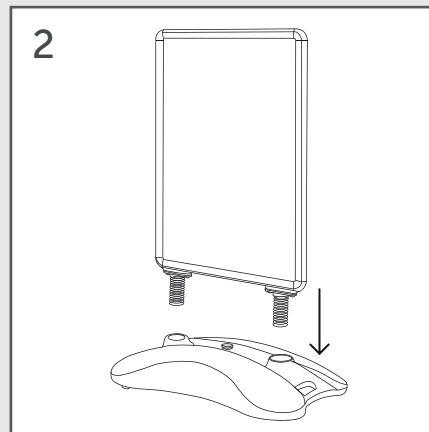
WPG



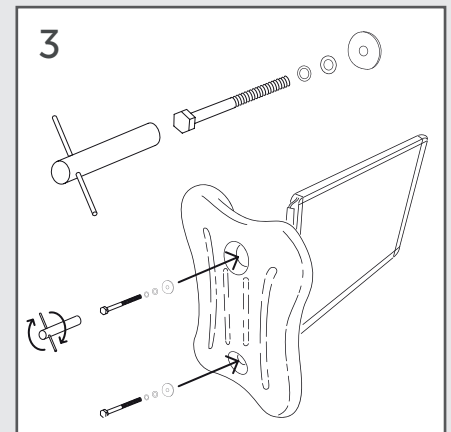
Note: to avoid any accidental loss of components, please do not dispose of packaging until the sign is fully assembled.



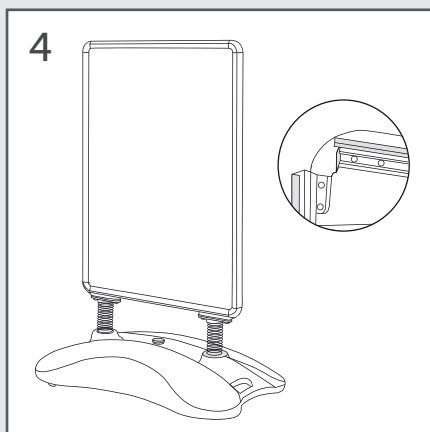
The carton contains a water-fillable base and a poster frame.



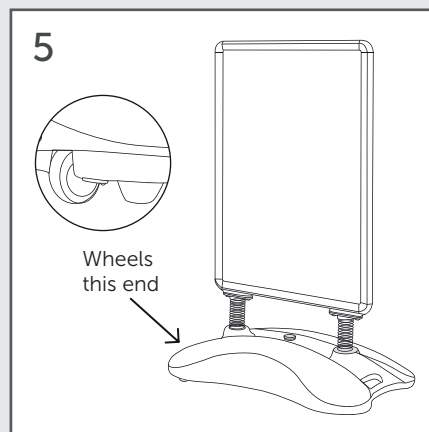
Insert the legs of the poster frame into the holes in the base.



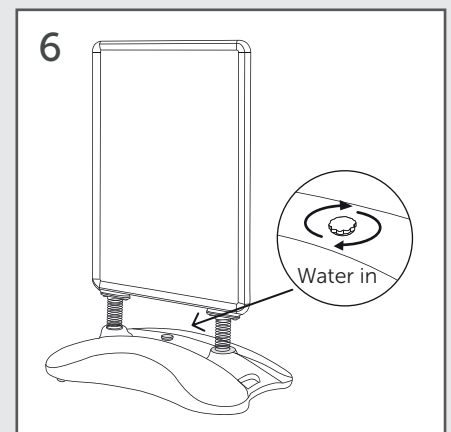
Use the fixings shown to attach the water-fillable base to the frame.



Use the lever tool to carefully open the snap frame sides.



Insert your posters and plastic covers before closing the frame.



Fill the base with water or fine dry sand for stability before use.

- Fill the sign with water or sand before use. Position on a flat, even surface. Bring indoors during strong winds.
- Print your posters on waterproof PVC paper to prevent crinkling caused by moisture or condensation.
- To prevent wear to the wheels, please check that they are not blocked by stones or other material and rotate freely.