

Assembly guide: SWG4 Solid Base Pavement Swinger

SWG4 SPECIFICATIONS

Visual Panel Area
750 x 500mm

ASSEMBLED SIZE
915 (H) x 585 (D) x 475 (D) mm

BOXED WEIGHT
11.8kg

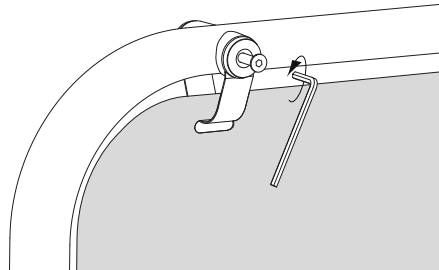
COMPONENT LIST

1 x recycled PVC base
1 x aluminium panel
1 x steel frame
1 x 4mm allen key

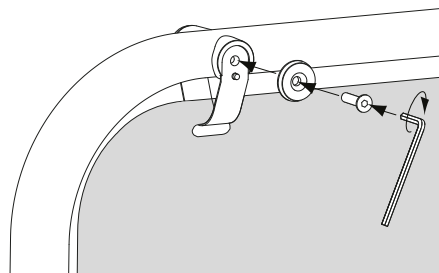
Items attached to steel frame:
2 x panel hanging clip
4 x screw
4 x saddle washer
4 x finishing washer

PANEL ATTACHMENT

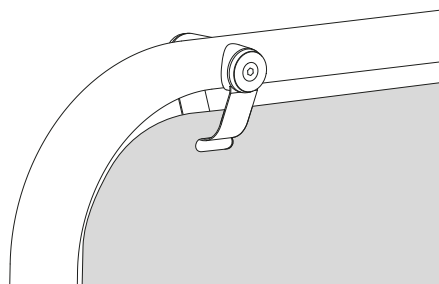
A Remove screw and fixings from one side of each panel hanging clip using a 4mm allen key.



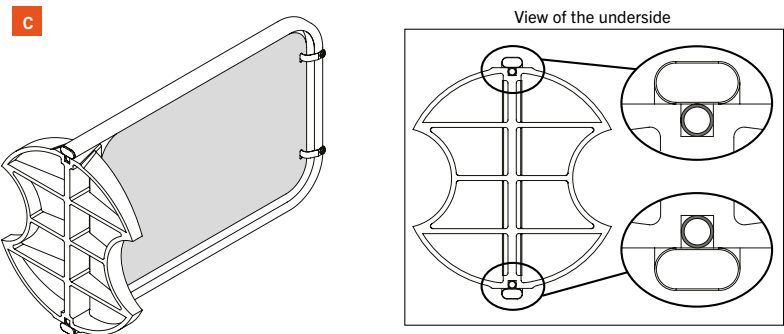
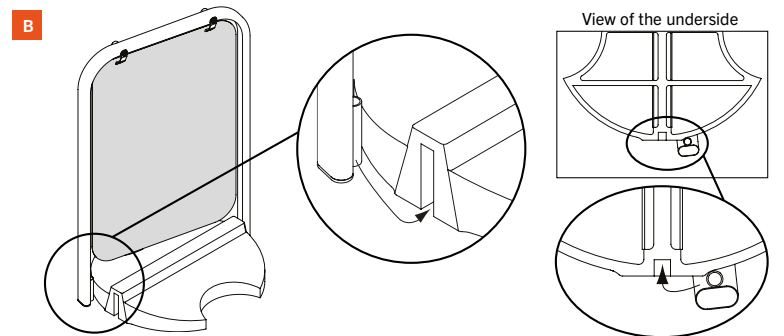
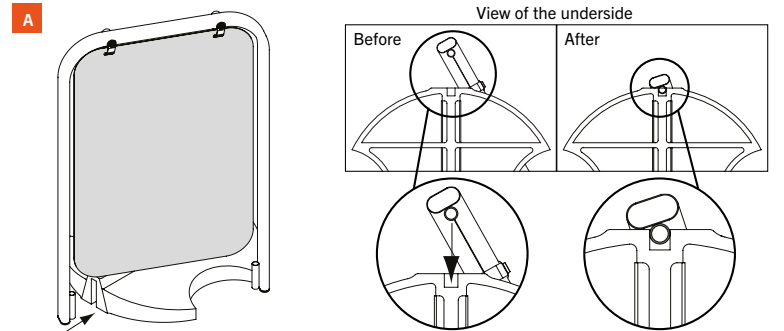
B Locate panel onto the panel hanging clips. Reassemble the panel hanging clips using the screws and fixings.



C Reassembled panel hanging clip.



ASSEMBLY



FULLY ASSEMBLED

