

# Assembly guide: SWG2A2 Black Pavement Swinger

## SWG2A2 SPECIFICATIONS

**Graphic Panel Size**  
A2 (594 x 420mm)

**Visual Area**  
574 x 400mm

**ASSEMBLED SIZE**  
915 (H) x 585 (D) x 475 (D) mm

**BOXED WEIGHT**  
11.8kg

### COMPONENT LIST

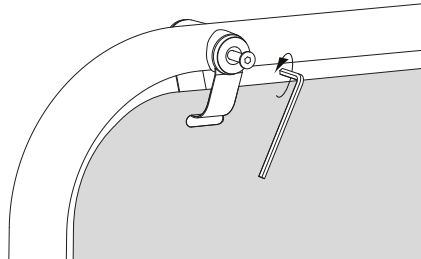
1 x recycled PVC base  
1 x flexible pocket  
1 x steel frame  
1 x 4mm allen key

Items attached to steel frame:

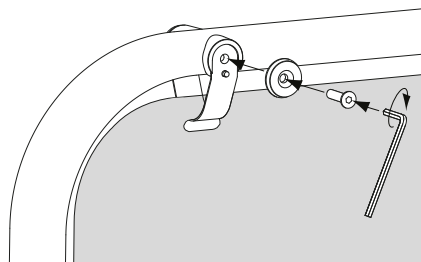
2 x panel hanging clip  
4 x screw  
4 x saddle washer  
4 x finishing washer

### PANEL ATTACHMENT

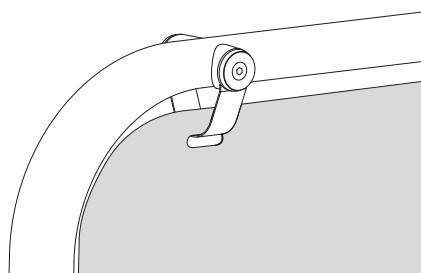
- A** Remove screw and fixings from one side of each panel hanging clip using a 4mm allen key.



- B** Locate panel onto the panel hanging clips. Reassemble the panel hanging clips using the screws and fixings.

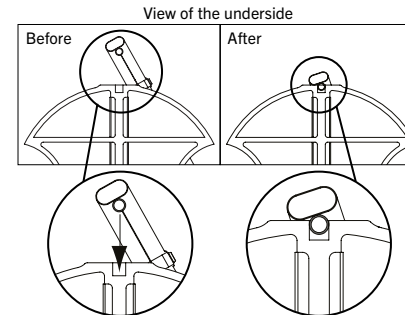
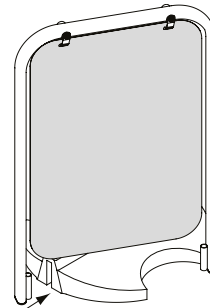


- C** Reassembled panel hanging clip.

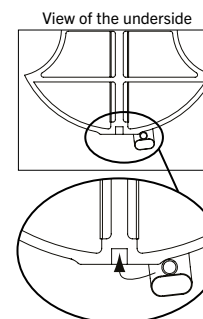
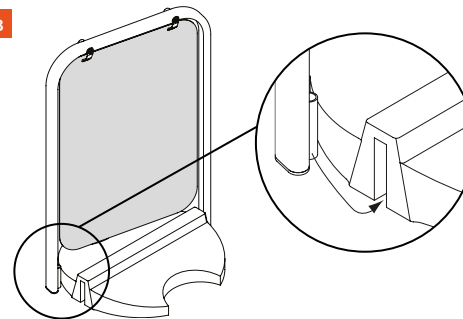


### ASSEMBLY

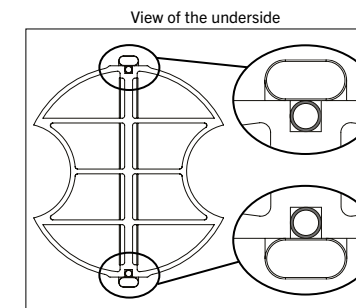
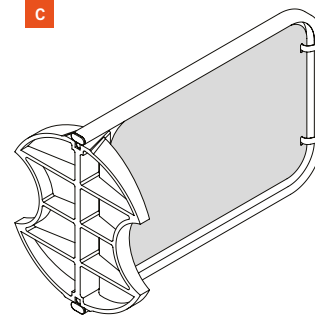
**A**



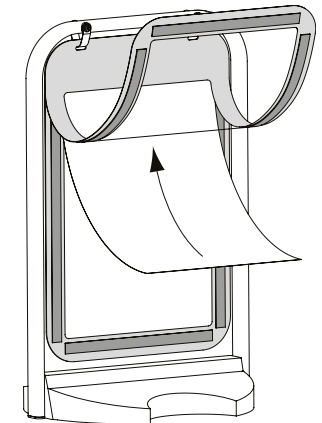
**B**



**C**



### ADDING GRAPHICS



### FULLY ASSEMBLED

