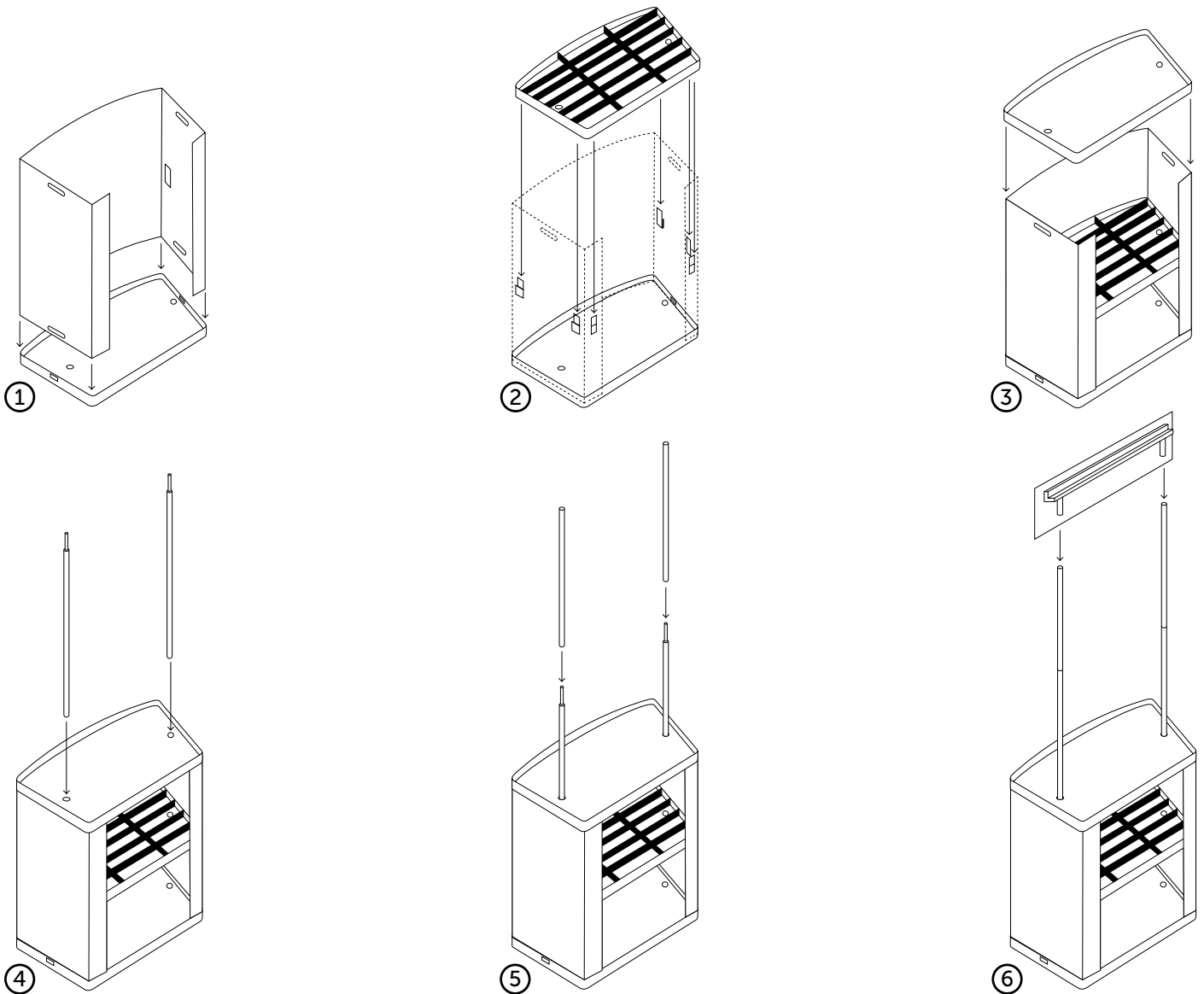
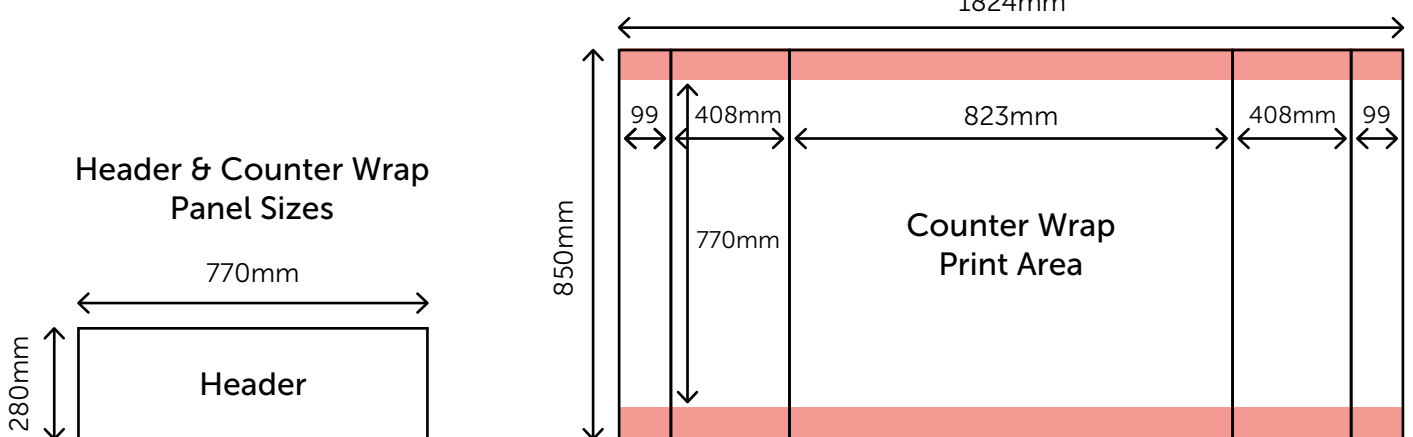
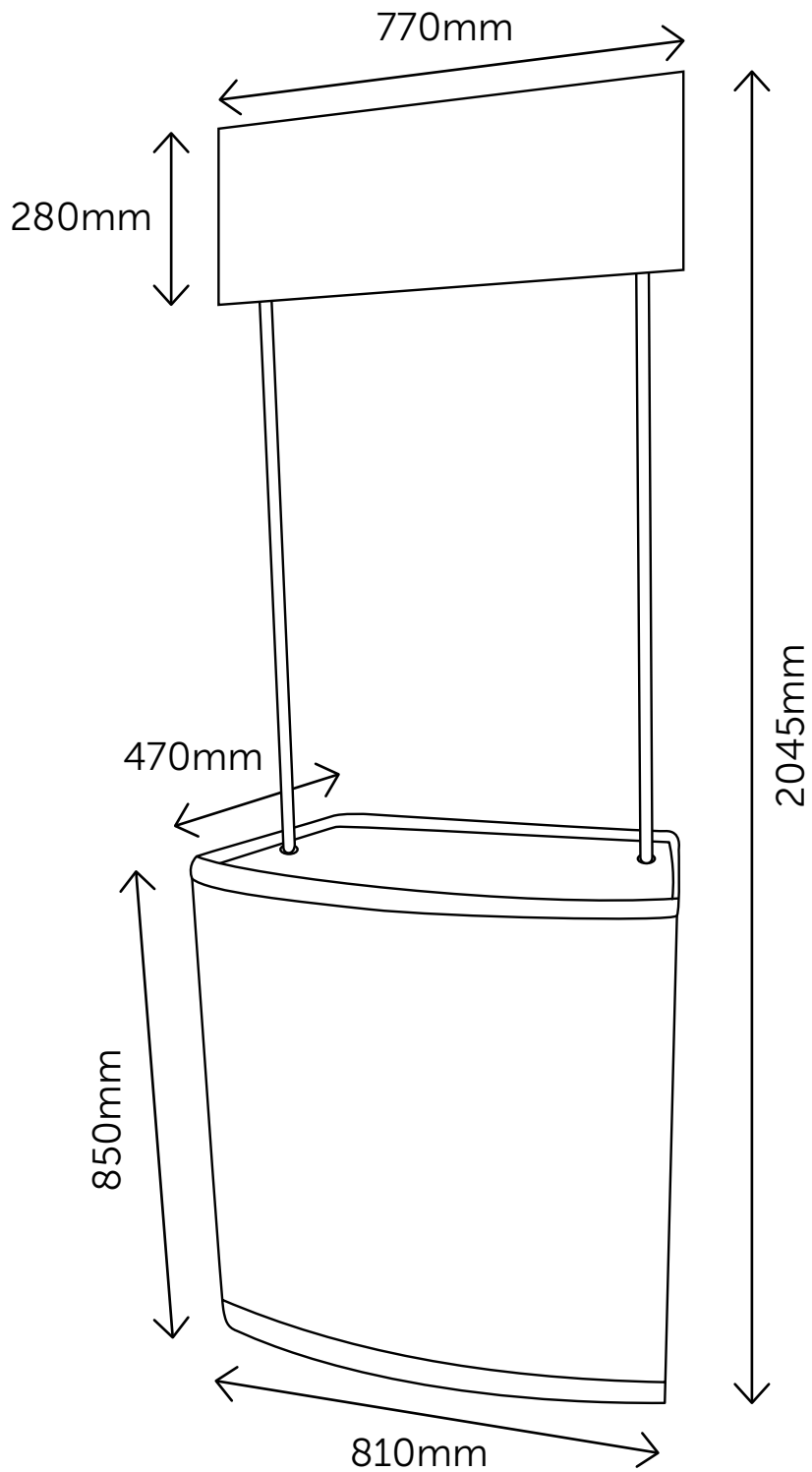


**PROM02 - NEW PROMO STAND INCLUDES CARRY BAG
ASSEMBLY AND PRINT AREA INSTRUCTIONS**



Print Area





**Unit dimensions
(all approx)**