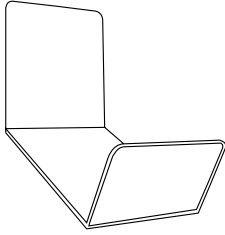
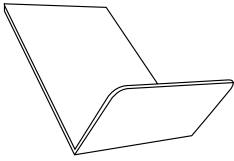
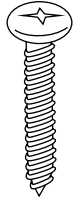
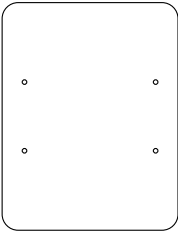
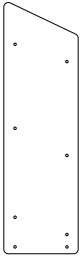
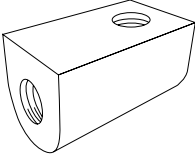
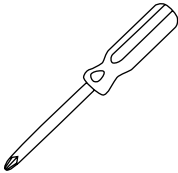
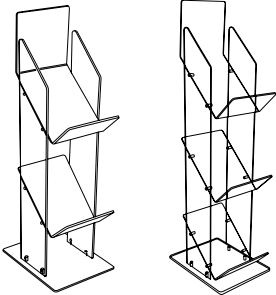
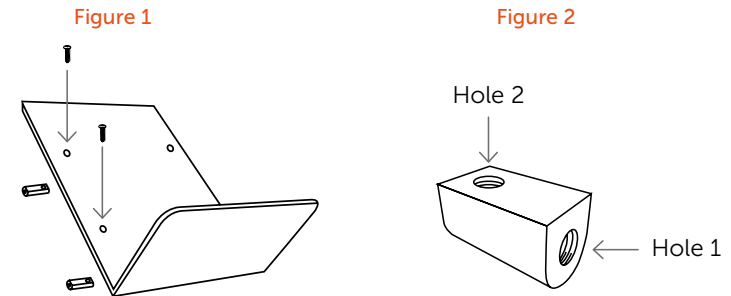


Components

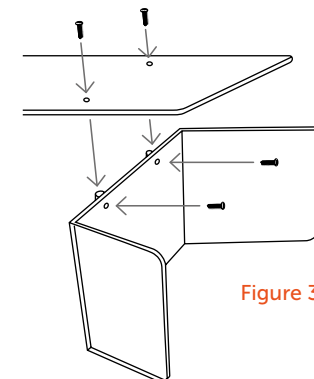
1 x Top Shelf 	1 or 2 Bottom Shelves 	Screws 
1 x Base 	2 x Side Panels 	Chrome Fixings 
Tool required Phillips Screwdriver (Not supplied) 		

Step-by-step instructions

1. Attach four chrome fixings to the underside of the top shelf, as per Figure 1 a. Affix into hole. 2 (figure 2) and tighten screws fully



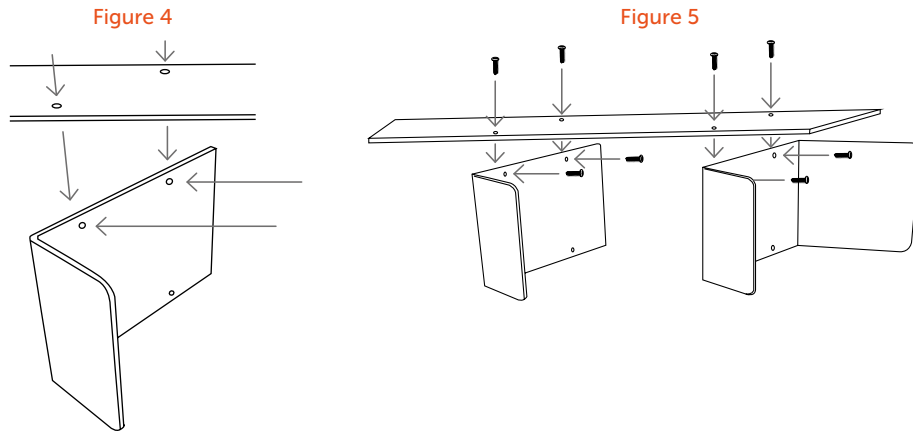
2. Repeat step 1 with both of the bottom shelves
3. Put the shelves on their sides on the floor and lay one of the side panels on top. Ensure the holes are lined up with the metal fixings (figure 3)



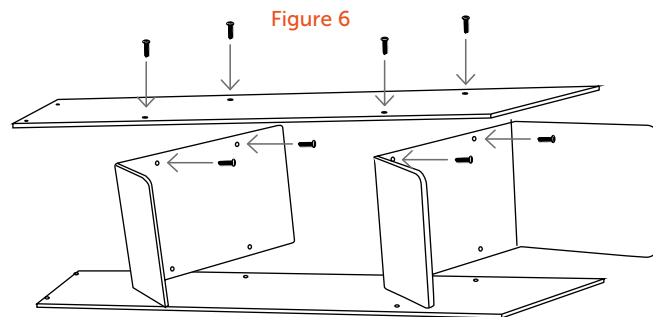
4. Screw the two fixings into place, do not tighten fully (hole 1)

Step-by-step instructions (continued)

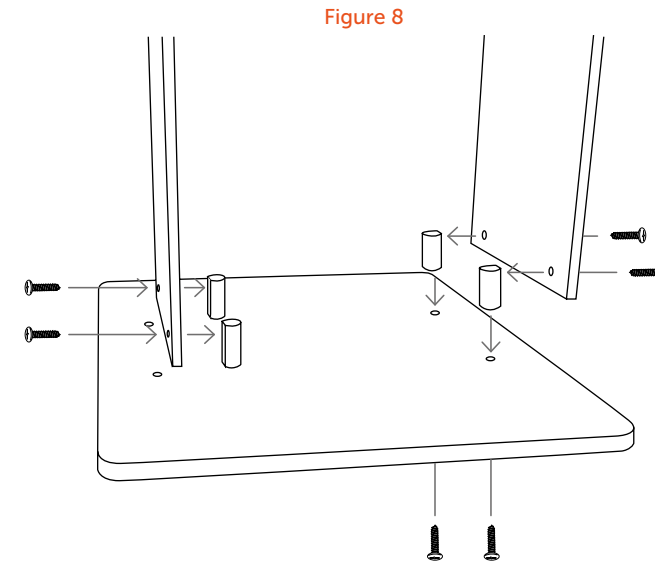
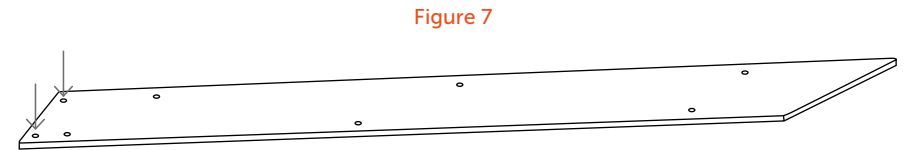
- 5.** Repeat steps 3 and 4 for the middle/bottom shelves as per figures 4 & 5



- 6.** Once the fixings on one side are secure, flip the unit so the side panel is lying on the floor and align the second side panel up with the shelves (Figure 6)



- 7.** Attach two more chrome fixings to the bottom of each of the sides (Figure 7) – use hole 2 on the fixtures – applied on the inside (figure 8)



- 8.** Put the unit on its back and line all four holes on the base with the Chrome Fixings (Figure 9)
- 9.** Screw in the final four screws and then tighten all screws on the unit