

INSTALLING CABLES

Having marked out the floor positions, use a plumb bob to find the location on the ceiling directly over the floor position.

- (A) Unscrew the fixing plate from the ceiling fixing and securely fix to your mark on the ceiling.
- (B) Do the same to the floor with the fixing plate from the cable tensioner.
- (C) Hang the cable from the ceiling fixing allowing it to unwind.
- (D) (E) (B) Undo the small brass fitting (D) attached to the cable inside the tensioner (E) with the 1.5mm allen key provided, slide this the cable and with the cable pulled tight, retighten this fitting, flush with the top edge of the floor fixing. (B)
- (E) Cut off the cable so that it sits 5mm below the top edge of the floor fixing.

Screw the outer body of the tensioner onto the floor fixing.

You should feel the tension starting to be taken up just before the tensioner is screwed fully down. Check that the cable will pull gently out against the spring. If there is no movement the tension is too strong and the brass fitting needs to be moved down the cable.

Remember, the cable is only as strong as your ceiling fixing.

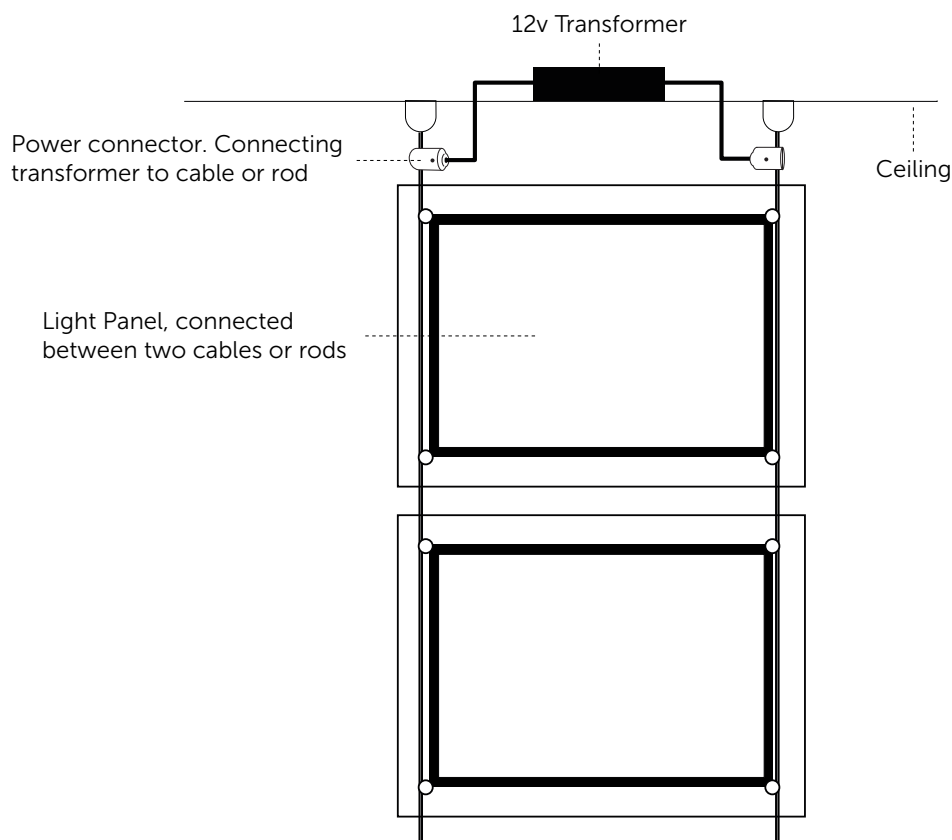
Step 1. Connecting the light panel

This is the same for cables or rods. The light panel comes complete with cable or rod connections. Before you fit the light panel make sure it is the correct way up, the pocket should open from the top.

Once you have decided on where the light panel is to be fitted, remove the allen screw from the connection on the light panel and attach to the cable or rod. When you are happy the light panel is level, tighten the screws.

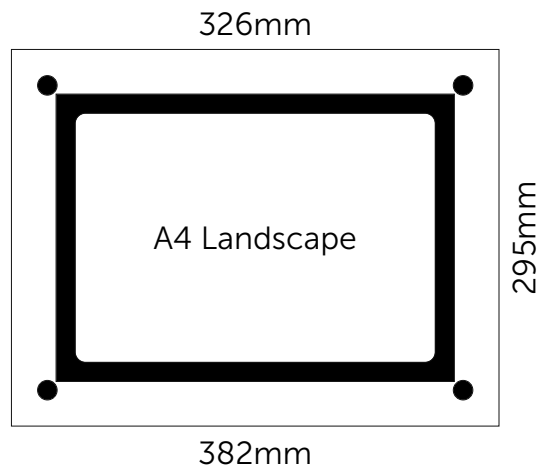
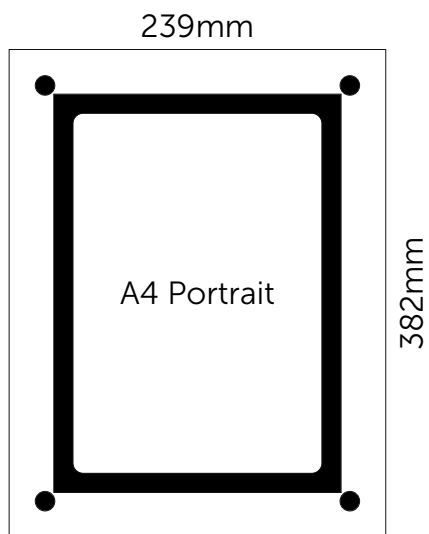
Step 2. Connecting the transformer

It is important to check that you have the correct transformer. Light panels require a DC Transformer. Identify the input and output leads of the transformer. The input lead is the one which brings the 240 volts from the mains into the transformer. This should be connected to a plug or a fused spur. The output leads are 2 separate leads. These have to be connected to the cables or rods, using the supports provided.



- Never connect transformer connections to the top or bottom fitting on either the cable or the rod
- Turn the power off before making any connections
- Nothing metallic must cross or connect to the cables or rods other than the light panels. Make sure nothing metallic is in the ceiling or floor and connecting to the screws

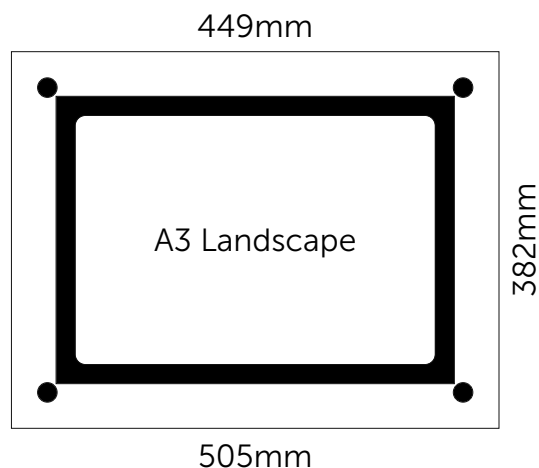
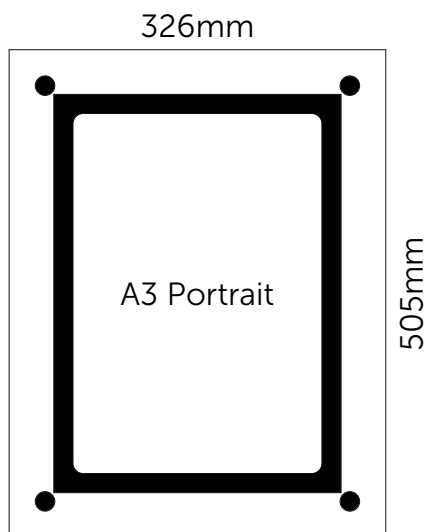
Cable/Rod/Wall Support Centres



*Panel Size:

***35mm clear edge 15mm silver border**

Cable/Rod/Wall Support Centres



*Panel Size:

***35mm clear edge 15mm silver border**

*This document is intended as a general guide. Always measure your panel to get your cable centre. Dimensions can change slightly due to continued product development.