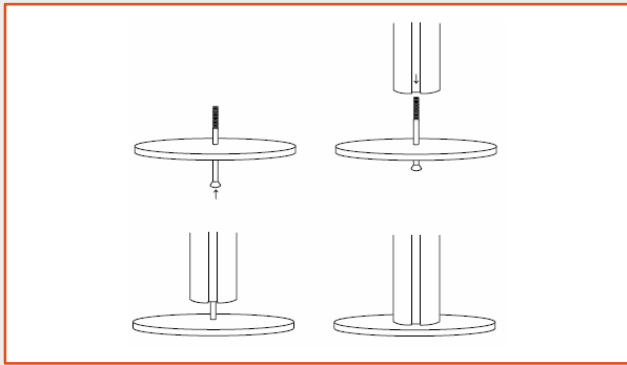


Assembly guide: KB7 Freestanding Cable Poster Display Stand

Components supplied:

- 4 x toggles (AH03)
- 1 x frame (2 x feet, 2 x crossbars and 2 x uprights)
- 2 x cables (AA4 cables with connectors)
- 4 x poster grippers (AG01S)
- Poster pockets (your chosen quantity)
- Allen key

1. First attach the round feet to the uprights. One end of each upright will have a large countersunk screw, which should be removed and passed through the countersunk hole on the foot. Once inserted through the foot, attach to the threaded upright and tighten with the supplied Allen key.



2. Each crossbar has an adjustable tensioner insert protruding from each end. Slide these inserts into the vertical slots in the uprights (the screw may need loosening first).

Push the crossbar over the insert, lining up the hole in the crossbar with the hole in the insert and ensuring it is flush with the uprights.

Push the screw into place and tighten with the supplied Allen key until you feel resistance (do not over-tighten).

Repeat the sequence at each end of each crossbar. We recommend that the bottom crossbar is positioned approximately 15cm from the floor.



3. Next, fix your cables to the crossbars.

- Take one cable, and remove the two connectors. Take a toggle and pass its screw through the raised part of the centre of the smaller connector and loosely connect. Slide the toggle into the top crossbar.
- Attach another toggle to the larger connector, slide into the bottom crossbar, and tighten the toggle screw, ensuring the toggle has rotated beneath the sides of the slot before finally being tightened. Tighten the top toggle screw in the same way.
- Hang the cable from the top connector, allowing it to unwind. Undo the small brass fitting attached to the cable inside the tensioner with the 1.5mm Allen key. Slide this up the cable and, with the cable pulled tight, retighten this fitting so it sits flush with the top edge of the bottom connector.
- Cut off the cable so that the end sits 5mm below the top edge of the bottom connector, then screw the outer body of the tensioner into the connector. You should feel the tension starting to be taken up just before the tensioner is screwed fully down.
- Repeat steps a-d to fit the second cable to the frame.

Note: Check the cable will pull gently out against the spring. If there is no movement, then the tension is too strong and the brass fitting needs to be moved down the cable.



4. Secure the poster pocket(s) to the cables using the supplied poster grippers and Allen key.

