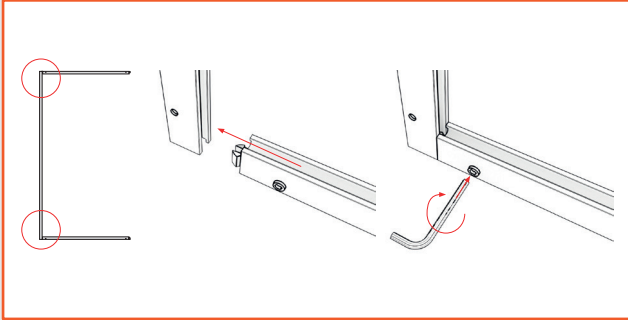


Assembly Instructions FSHS Floorstanding Sneeze Screen

How to assemble

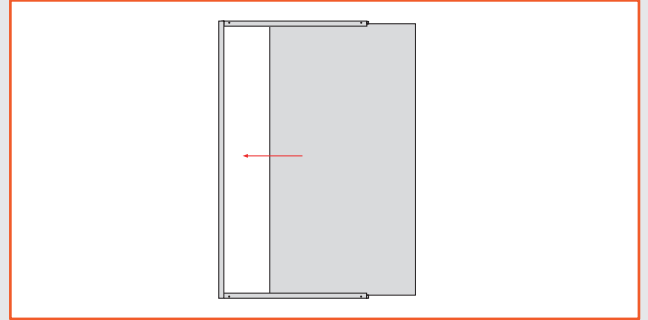
1.

Slot the two cross rails into each end of one of the vertical profiles, using the Allen key to wind each cross rail into the profile until tightened.



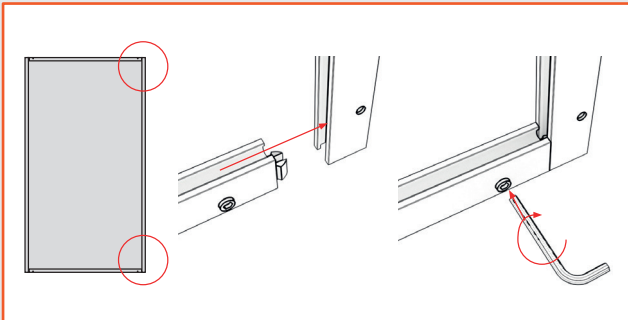
2.

Once you have secured both cross rails, leaving one side of the frame open, slide the PETG screen into place. It will feel loose at this point.



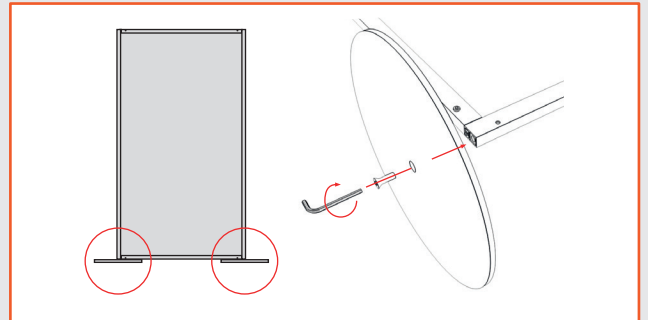
3.

Once the screen is in place, screw the other vertical profile into the cross rails using the same process as step 1.



4.

Use the Allen key and screws provided to screw the two feet into the base.



5.

Secure the screen using the crescent-shaped rubber strip provided. Cut it down to size (we advise 50mm shorter than each frame edge).

Slide the rubber strip in between the metal frame and screen, with the notched outer side of the crescent facing the frame.

If required, use a splash of water to lubricate the rubber and help it to slide into the frame easily, until the notch clicks into place. Repeat this on all four sides of the screen.

