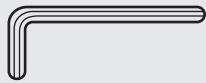


Assembly Instructions - **DDT** Digital Display Totem

Included components:



x1 Allen key

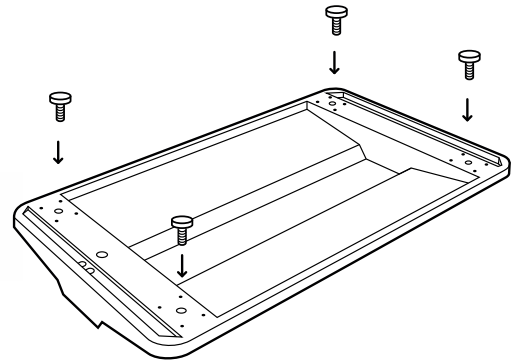


x6 Allen screws

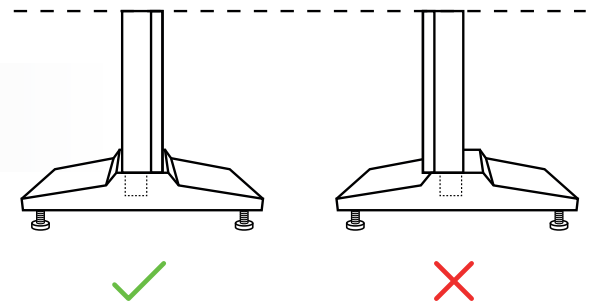


x4 Adjustable feet

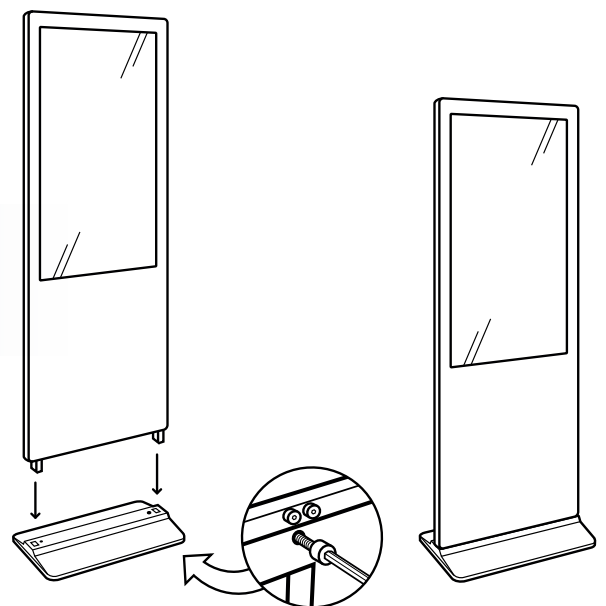
Screw each of the four adjustable feet underneath the base.



Ensure the panel is inserted in the correct position, the display should not overhang on the base.



With the display panel correctly inserted into the base, screw in the six allen screws to securely fix assembly together.



Underneath base: x3 screws per side
(x6 screws in total)